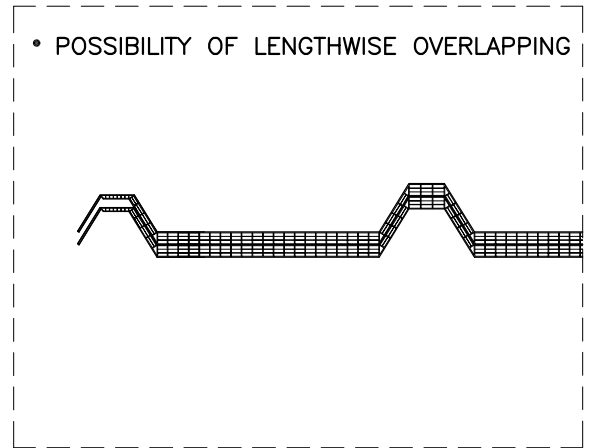
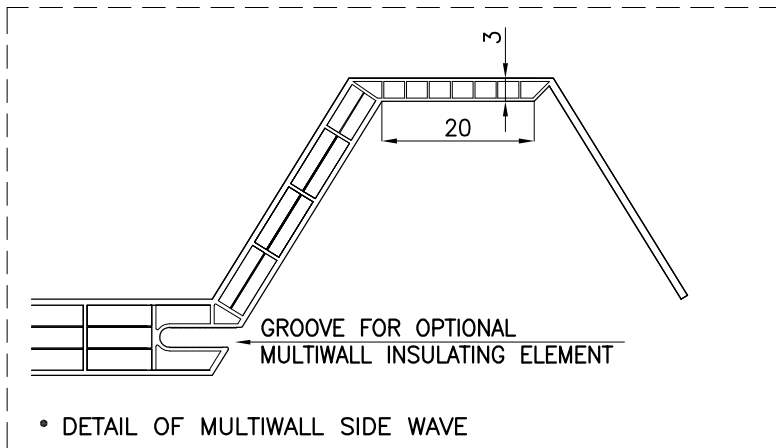
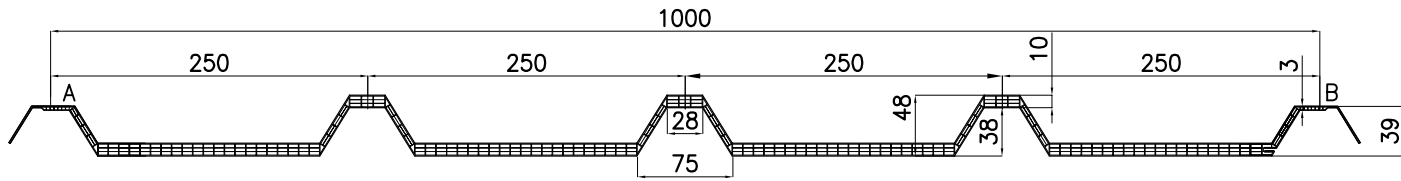


Technical Data Sheet

THERMOGRECA 1000 G/5

MULTIWALL SHEET FITTING TO MOST SANDWICH PANELS



TECHNICAL DATA

REALIZATION OF COVERINGS AND SKYLIGHTS
WITH MULTIWALL EXTRUDED POLYCARBONATE
RIBBED THERMOGRECA 1000 G/5 SHEETS

- SHEET PITCH 1000mm
- FOURWALL
- MANUFACTURED TO LENGTH
- SATINED CLEAR AND OPAL COLOUR
- HEAT SEALED ENDS
- UV PROTECTION
- SELF EXTINGUISHING AS PER EUROCLASS B s1 d0
- SHEET TECHNICAL DATA

thickness = 10 mm - $K = 2,10 \text{ Kcal/m}^2\text{h}^\circ\text{C}$
 $W = 2,45 \text{ W/m}^2\text{K}$

weight = 2,80 Kg/m²

- LIGHT TRANSMISSION:
CLEAR 72% - OPAL 47%

